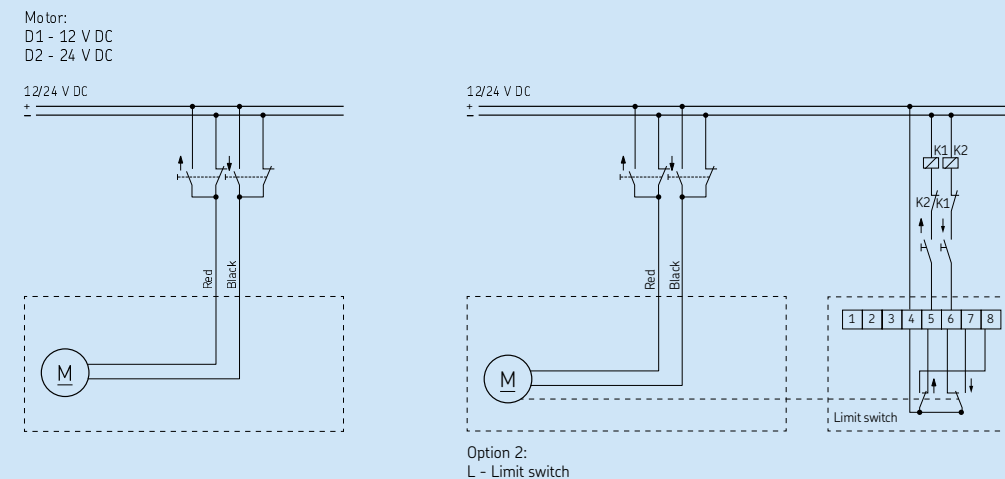
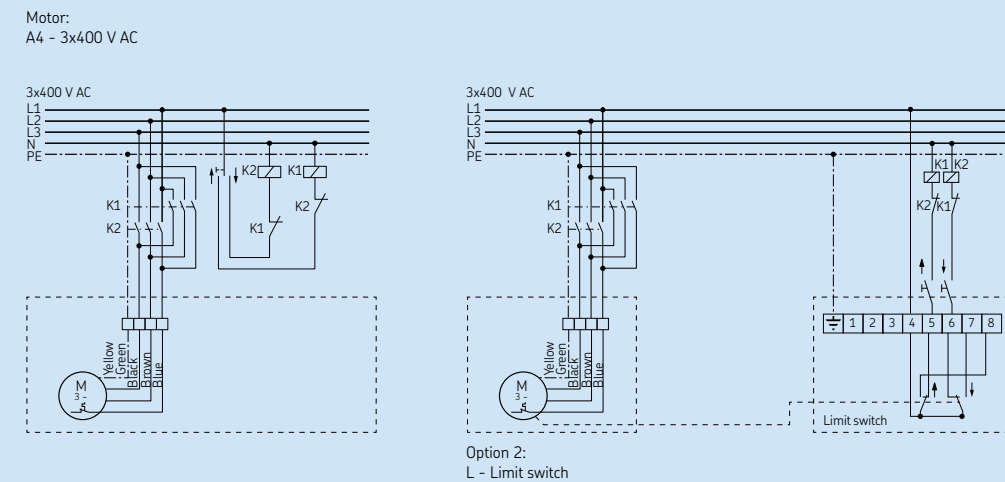


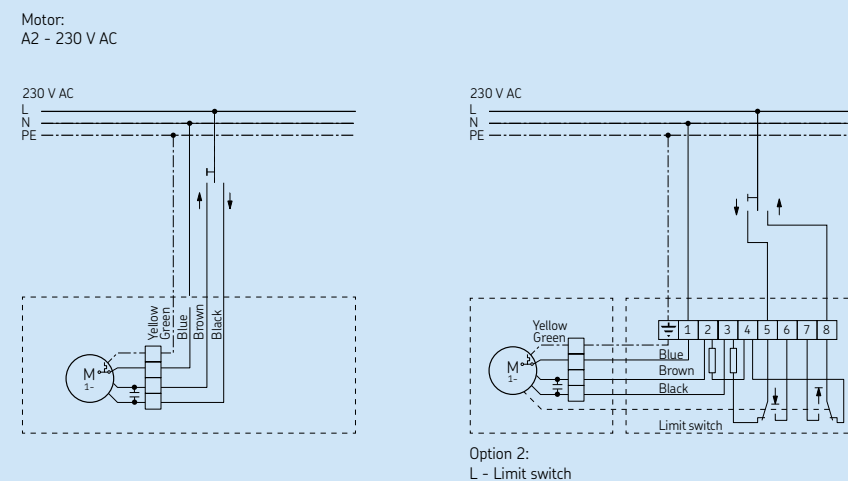
Connecting diagrams



Connecting diagrams



Connecting diagrams



Ordering key

Performance and self locking table

Load [N] / Full Load Speed [mm/s]					Screw		Motor		
-	-	3 000 / 8	Not self-locking	4 000 / 5	Self-locking	L	S	D2	24 V DC
1 000 / 45	Not self-locking	2 000 / 18	Not self-locking	-	-	L	N	D2	24 V DC
-	-	3 000 / 8	Not self-locking	4 000 / 5	Self-locking	L	S	D1	12 V DC
1 000 / 50	Not self-locking	2 000 / 17	Not self-locking	-	-	L	N	D1	12 V DC
-	-	-	-	2 600 / 5	Self-locking	L	S	A2	230 V AC
500 / 50	Not self-locking	1 000 / 18	Not self-locking	1 500 / 10	Self-locking	L	N	A2	230 V AC
-	-	-	-	4 500 / 5	Self-locking	L	S	A4	3x400 V AC
1 000 / 50	Not self-locking	2 500 / 15	Not self-locking	3 200 / 10	Self-locking	L	N	A4	3x400 V AC
10		30		50					

C A H M - 3 1 - L 0 - 0 - 0 0 0

Type

Size (Gear Center Distance)
 50 mm

3 1

Gear Ratio

10
 30
 50

1 0
 3 0
 5 0

Screw Type

Lead screw 12.5x6
 Lead screw 12.5x12.5

L S
 L N

Stroke

100 mm
 200 mm
 300 mm
 400 mm
 500 mm
 600 mm
 700 mm

0 1 0 0
 0 2 0 0
 0 3 0 0
 0 4 0 0
 0 5 0 0
 0 6 0 0
 0 7 0 0

Motor

12 V DC
 24 V DC
 3x400 V AC
 230 V AC

D 1
 D 2
 A 4
 A 2

Front Attachment

No option = Standard trough hole D=10mm H8

0

Option 1 - Brake

No option
 Free wheel brake on push load 1028,6226 1
 Free wheel brake on pull load 1028,0002 2
 Friction brake for push and pull load

0
 1
 2
 3

Option 2

No option
 Limit switch

0
 L

Customer option

0 0 0

Linear actuator

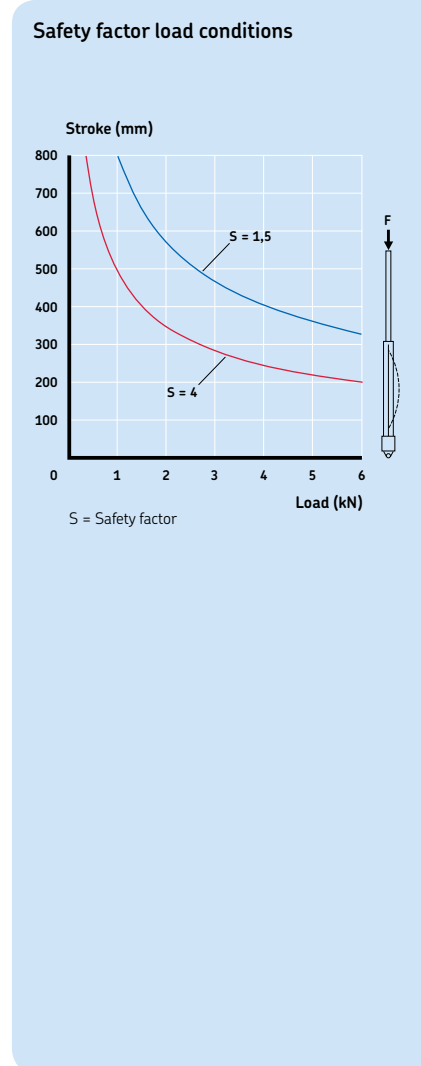
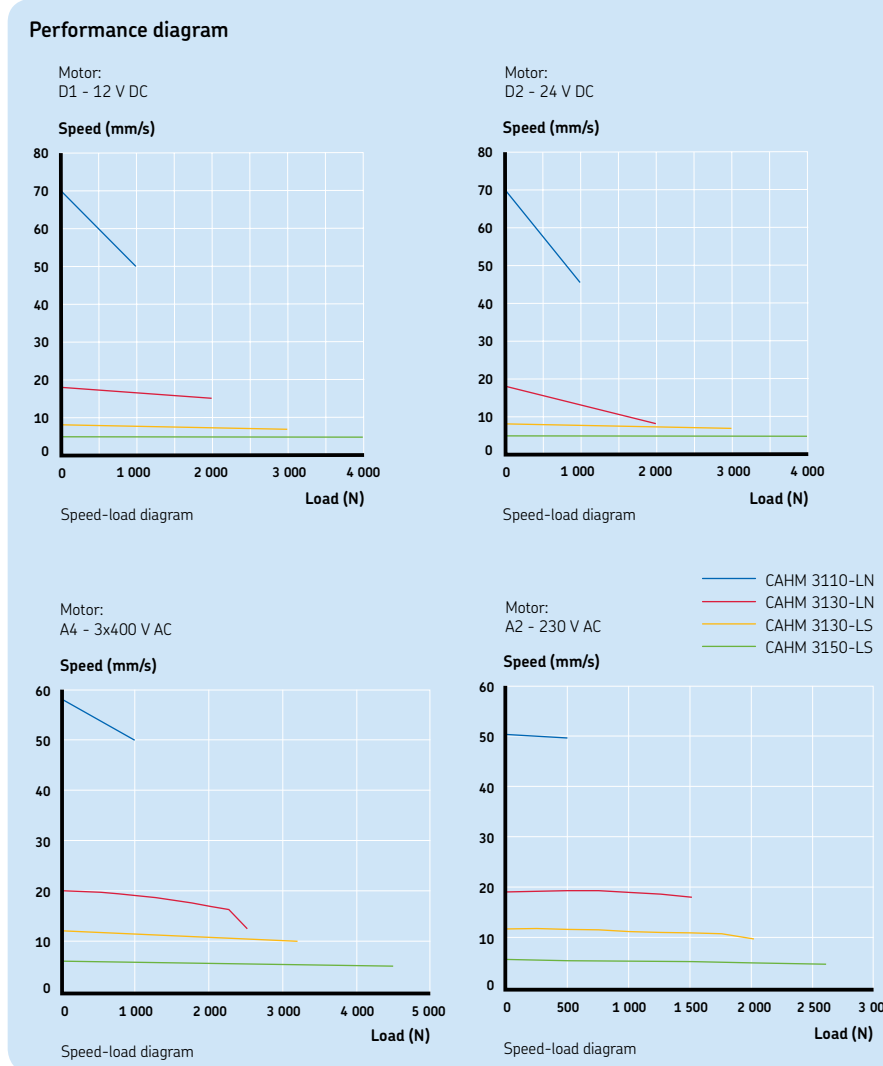
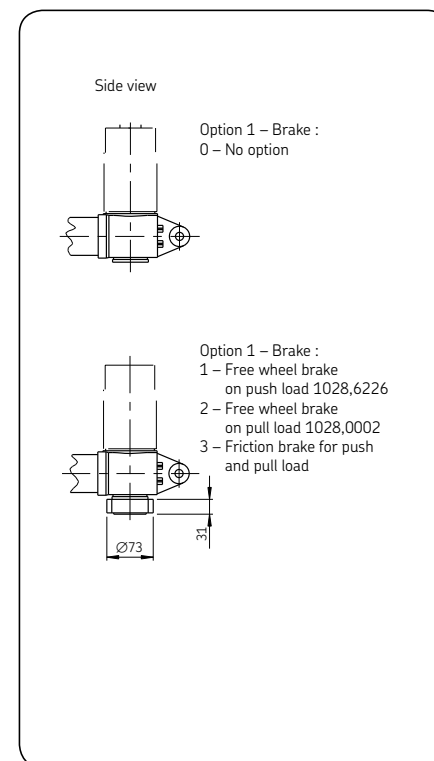
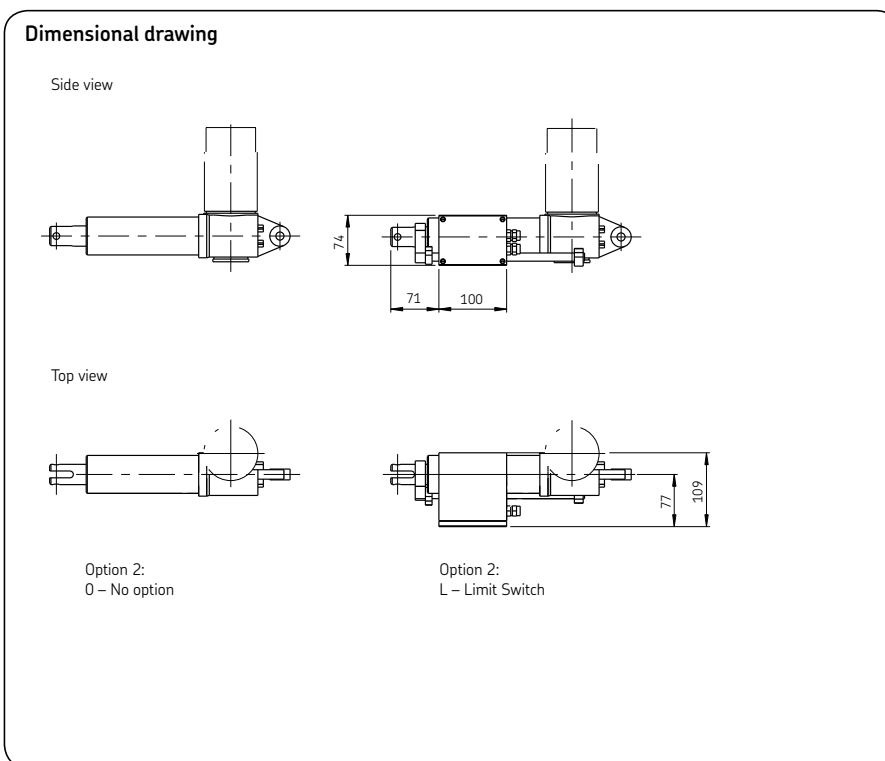
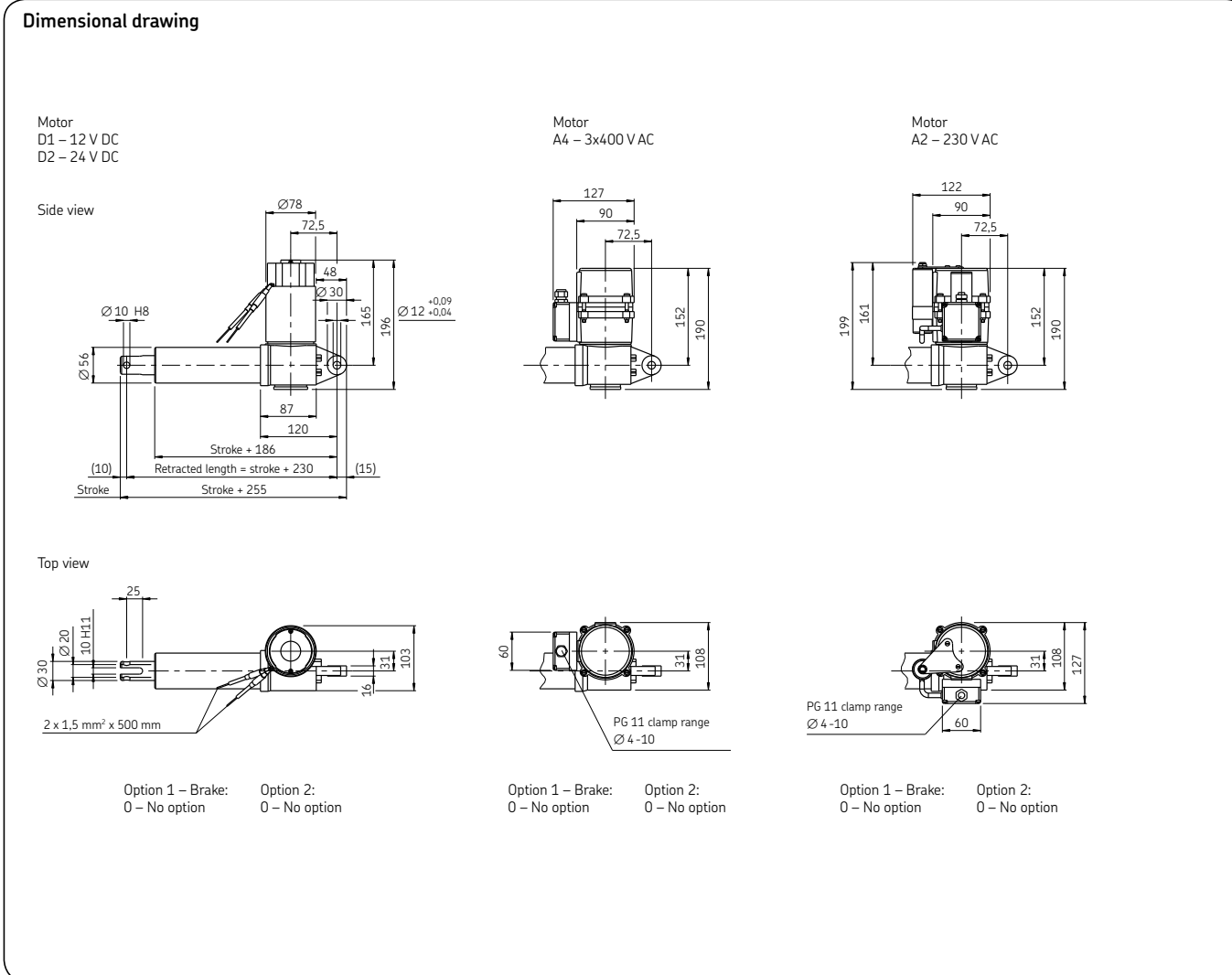
CAHM-31

Benefits

- Modular
- Robust
- Reliable
- High speed and/or high load
- All metal design



Picture CAHM-3130-LS0300-D1-010



Technical data

	Unit	CAHM-3110-LN0XXX-D1	CAHM-3130-LN0XXX-D1	CAHM-3130-LS0XXX-D1	CAHM-3150-LS0XXX-D1
Motor	–	D1	D1	D1	D1
Voltage	V DC	12	12	12	12
Screw type	–	LN	LN	LS	LS
Rated push load	N	1 000	2 000 ⁵⁾	3 000 ³⁾	4 000 ²⁾
Rated pull load	N	1 000	2 000	3 000	4 000
Speed (at full load)	mm/s	50	17	8	5
Stroke	mm	100 to 700	100 to 700	100 to 700	100 to 700
Retracted length	mm	S+230	S+230	S+230	S+230
Power consumption	W	192	168	168	168
Current consumption	A	16	14	14	14
Duty cycle	%	10 (1/9)	10 (1/9)	10 (1/9)	10 (1/9)
Ambient temperature	°C	-10 to +40	-10 to +40	-10 to +40	-10 to +40
Type of protection	IP	44	44	44	44
Weight (at 200 mm stroke)	kg	5	5	5	5
Color	–	Silver	Silver	Silver	Silver

¹⁾ Push load allowed up to 350 mm stroke (if S>350 mm, only pull load is allowed)
²⁾ Push load allowed up to 400 mm stroke (if S>400 mm, only pull load is allowed)
³⁾ Push load allowed up to 450 mm stroke (if S>450 mm, only pull load is allowed)
⁴⁾ Push load allowed up to 500 mm stroke (if S>500 mm, only pull load is allowed)
⁵⁾ Push load allowed up to 600 mm stroke (if S>600 mm, only pull load is allowed)

Technical data

	Unit	CAHM-3110-LN0XXX-D2	CAHM-3130-LN0XXX-D2	CAHM-3130-LS0XXX-D2	CAHM-3150-LS0XXX-D2
Motor	–	D2	D2	D2	D2
Voltage	V DC	24	24	24	24
Screw type	–	LN	LN	LS	LS
Rated push load	N	1 000	2 000 ⁵⁾	3 000 ³⁾	4 000 ²⁾
Rated pull load	N	1 000	2 000	3 000	4 000
Speed (at full load)	mm/s	45	18	8	5
Stroke	mm	100 to 700	100 to 700	100 to 700	100 to 700
Retracted length	mm	S+230	S+230	S+230	S+230
Power consumption	W	192	144	168	168
Current consumption	A	8	6	7	7
Duty cycle	%	10 (1/9)	10 (1/9)	10 (1/9)	10 (1/9)
Ambient temperature	°C	-10 to +40	-10 to +40	-10 to +40	-10 to +40
Type of protection	IP	44	44	44	44
Weight (at 200 mm stroke)	kg	5	5	5	5
Color	–	Silver	Silver	Silver	Silver

	Unit	CAHM-3110-LN0XXX-A4	CAHM-3130-LN0XXX-A4	CAHM-3150-LN0XXX-A4	CAHM-3150-LS0XXX-A4
Motor	–	A4	A4	A4	A4
Voltage	V AC	3x400	3x400	3x400	3x400
Screw type	–	LN	LN	LS	LS
Rated push load	N	1 000	2 500 ⁴⁾	3 200 ³⁾	4 500 ¹⁾
Rated pull load	N	1 000	2 500	3 200	4 500
Speed (at full load)	mm/s	50	15	10	5
Stroke	mm	100 to 700	100 to 700	100 to 700	100 to 700
Retracted length	mm	S+230	S+230	S+230	S+230
Power consumption	W	210	260	260	280
Current consumption	A	0,5	0,6	0,6	0,6
Duty cycle	%	40 (4/6)	40 (4/6)	40 (4/6)	40 (4/6)
Ambient temperature	°C	-10 to +40	-10 to +40	-10 to +40	-10 to +40
Type of protection	IP	54	54	54	54
Weight (at 200 mm stroke)	kg	5,6	5,6	5,6	5,6
Color	–	Silver	Silver	Silver	Silver

	Unit	CAHM-3110-LN0XXX-A2	CAHM-3130-LN0XXX-A2	CAHM-3150-LN0XXX-A2	CAHM-3150-LS0XXX-A2
Motor	–	A2	A2	A2	A2
Voltage	V AC	230	230	230	230
Screw type	–	LN	LN	LN	LS
Rated push load	N	500	1 000	1 500 ⁴⁾	2 600 ⁴⁾
Rated pull load	N	500	1 000	1 500	2 600
Speed (at full load)	mm/s	50	18	10	5
Stroke	mm	100 to 700	100 to 700	100 to 700	100 to 700
Retracted length	mm	S+230	S+230	S+230	S+230
Power consumption	W	230	200	200	230
Current consumption	A	1,1	1	1	1,1
Duty cycle	%	25 (2,5/7,5)	25 (2,5/7,5)	25 (2,5/7,5)	25 (2,5/7,5)
Ambient temperature	°C	-10 to +40	-10 to +40	-10 to +40	-10 to +40
Type of protection	IP	54	54	54	54
Weight (at 200 mm stroke)	kg	5,5	5,5	5,5	5,5
Color	–	Silver	Silver	Silver	Silver

¹⁾ Push load allowed up to 350 mm stroke (if S>350 mm, only pull load is allowed)
²⁾ Push load allowed up to 400 mm stroke (if S>400 mm, only pull load is allowed)
³⁾ Push load allowed up to 450 mm stroke (if S>450 mm, only pull load is allowed)
⁴⁾ Push load allowed up to 500 mm stroke (if S>500 mm, only pull load is allowed)
⁵⁾ Push load allowed up to 600 mm stroke (if S>600 mm, only pull load is allowed)