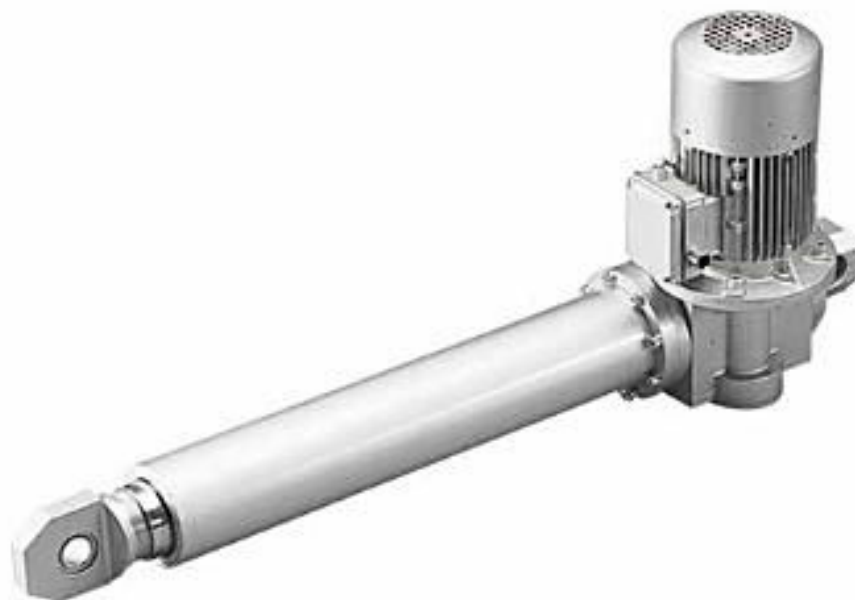


Linear actuator

CAHM-65

Benefits

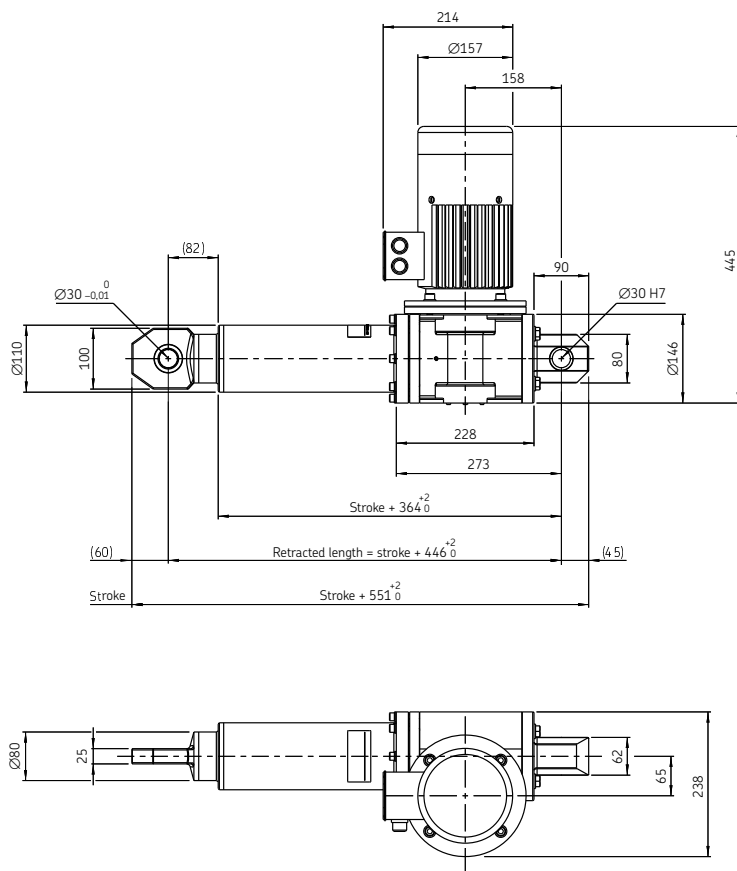
- Modular
- Robust
- Reliable
- High speed and/or high load
- All metal design



Picture CAHM-6520-BN0600-A4-R00



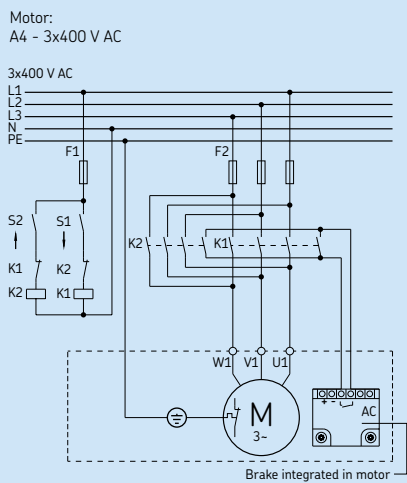
Dimensional drawing



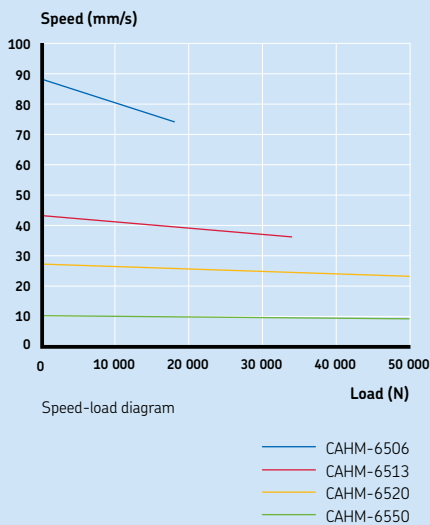
Technical data

	Unit	CAHM-6506	CAHM-6513	CAHM-6520	CAHM-6550
Rated push load	N	18 000	34 000	50 000	50 000
Rated pull load	N	18 000	34 000	50 000	50 000
Speed (at full load)	mm/s	74	36	23	9
Stroke	mm	100 to 700	100 to 700	100 to 700	100 to 700
Retracted length	mm	S+446	S+446	S+446	S+446
Voltage	VAC	3x400	3x400	3x400	3x400
Power consumption	W	3 000	3 000	3 000	1 900
Current consumption	A	3,9	3,9	3,9	3,6
Duty cycle	%	10 (1/9)	10 (1/9)	10 (1/9)	10 (1/9)
Ambient temperature	°C	-10 to +40	-10 to +40	-10 to +40	-10 to +40
Type of protection	IP	54	54	54	54
Weight	kg	40	40	40	40
Color	-	Silver	Silver	Silver	Silver

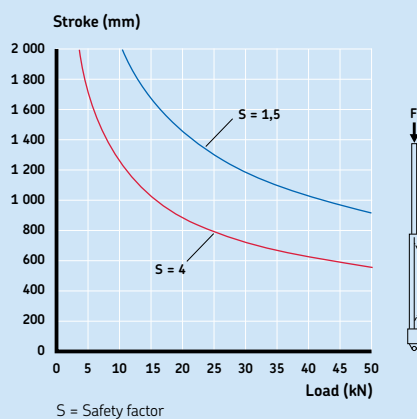
Connecting diagrams



Performance diagram



Safety factor load conditions



Ordering key

Load [N] / Full Load Speed [mm/s]			
18 000 / 74	34 000 / 36	50 000 / 23	50 000 / 9
6	13	20	50

C A H M - 6 5 - B N 0 - A 4 - R 0 0 - 0 0 0

Type

Size (Gear Center Distance)

65 mm

6 5

Gear Ratio

6	0 6
13	1 3
20	2 0
50	5 0

Screw Type

Ball screw 50x10

B N

Stroke

100 mm	0 1 0 0
200 mm	0 2 0 0
300 mm	0 3 0 0
400 mm	0 4 0 0
500 mm	0 5 0 0
600 mm	0 6 0 0
700 mm	0 7 0 0

Motor

3x400 VAC

A 4

Front Attachment

Rod End

R

Option 1 - Brake

No option - Brake is in the motor as standard

0

Option 2

No option

0

Customer option

0 0 0

