

# Linear actuator

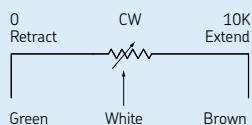
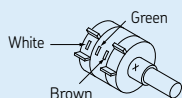
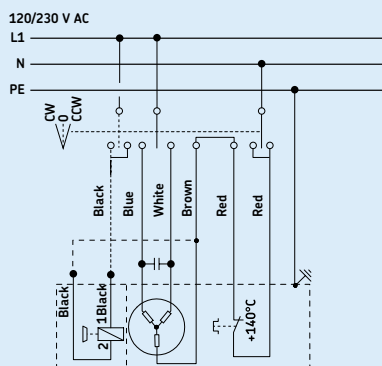
CAP 32

## Benefits

- Easy to install
- Robust and reliable
- Lubricated for service life
- Right- and left-hand version

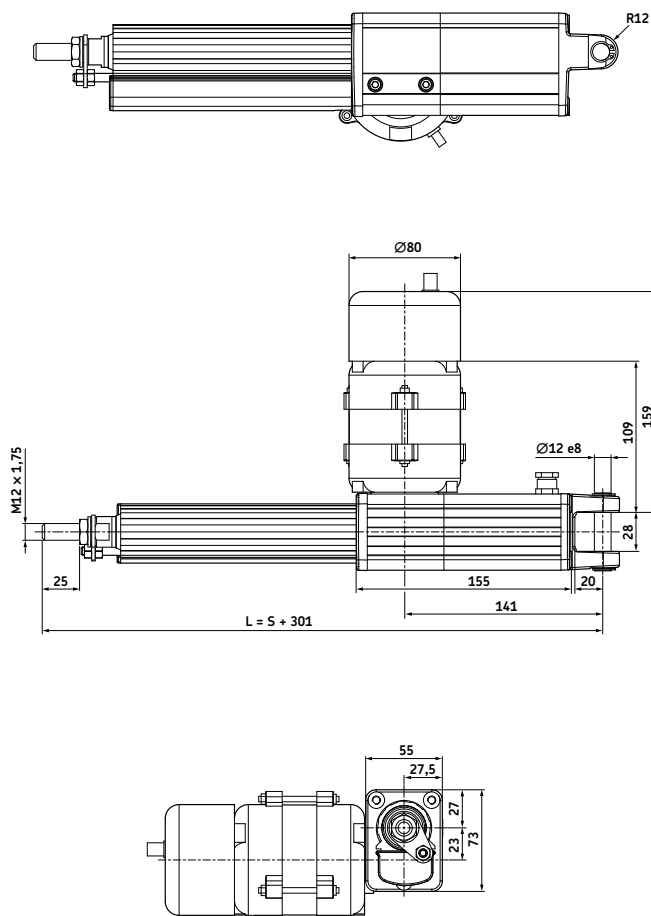


Connecting diagram – AC version



Connection diagram for rotating potentiometer.

Dimensional drawing – AC version

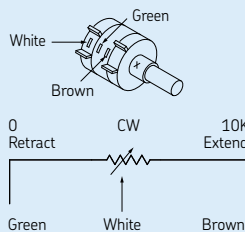
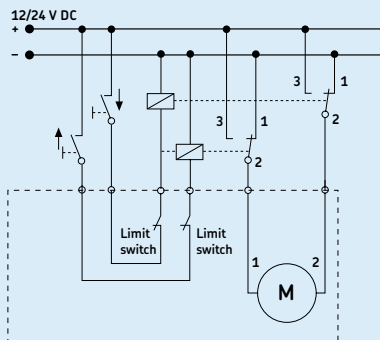


Technical data

	Unit	CAP 32 – AC version
Rated push load	N	1 500 to 3 500
Rated pull load	N	1 500 to 3 500
Speed (at full load)	mm/s	6 to 32*
Stroke	mm	50 to 700
Retracted length	mm	S+301
Voltage	V AC	120 or 230
Power consumption	120 V AC W	98 (brake 133,2 W)
	230 V AC W	92 (brake 117,3 W)
Current consumption	120 V AC A	0,82 (brake +0,29 A)
	230 V AC A	0,4 (brake + 0,11 A)
Duty cycle	%	30
Ambient temperature	°C	-20 to +50
Type of protection	IP	20/54
Weight	kg	2,9 to 5,0

\* Depending on selected motor

Connecting diagram – DC version



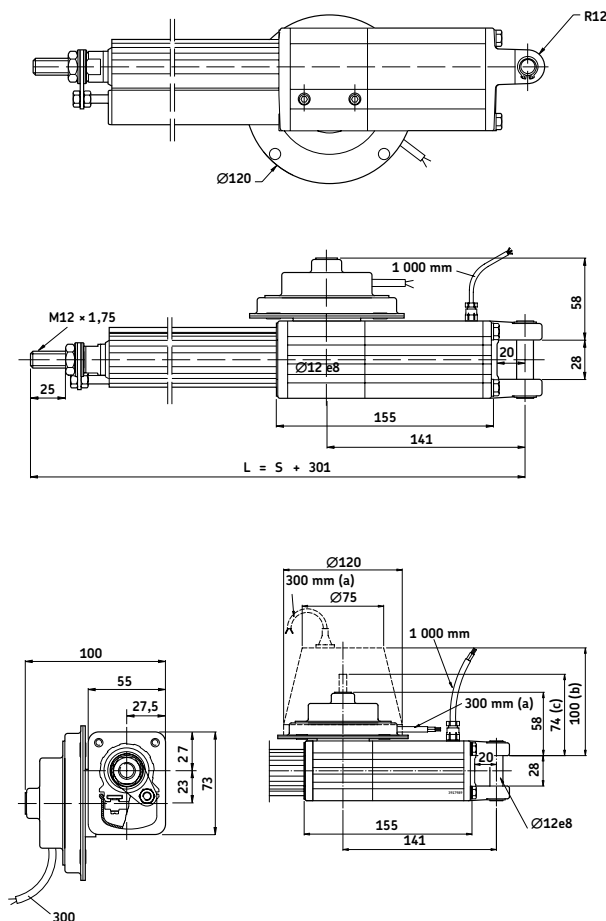
Connection diagram for rotating potentiometer.

Suitable control units and accessories

Control units

	CAED ANR 5-24-PO	CAED ANR 9-24-PO
D12C		
D24C	●	
D24CW	●	
D24CS		●
D24CB		●

Dimensional drawing – DC version



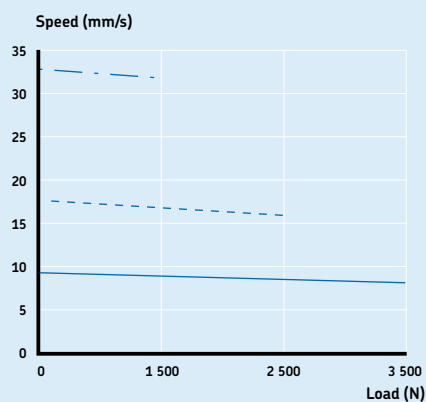
Legend:  
 S = stroke  
 L = retracted length  
 (a) = cable length  
 (b) = cover for brake (D24CB)  
 (c) = extended shaft (D24CS)

Technical data

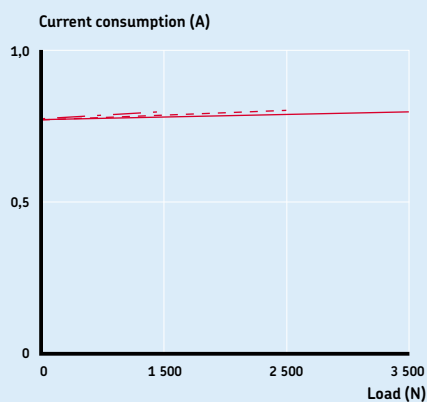
	Unit	CAP 32 – DC version
Rated push load	N	1 000 to 3 500
Rated pull load	N	1 000 to 3 500
Speed (full load to no load)	mm/s	5 to 60*
Stroke	mm	50 to 700
Retracted length	mm	S+301
Voltage	V DC	12 or 24
Power consumption	W	N/A
Current consumption	12 V DC	A
	24 V DC	A
	24 V DC	A
Duty cycle	%	25
Ambient temperature	°C	-20 to +50
Type of protection	IP	20/44
Weight	kg	2,9 to 5,0

\* Depending on selected motor

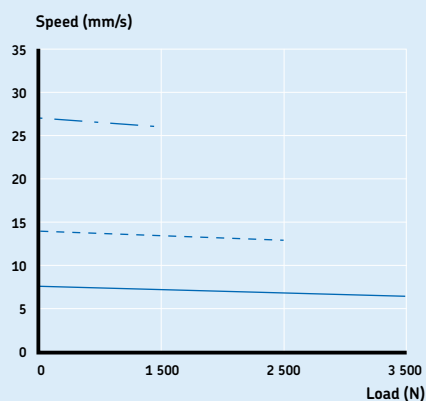
Performance diagrams – AC version



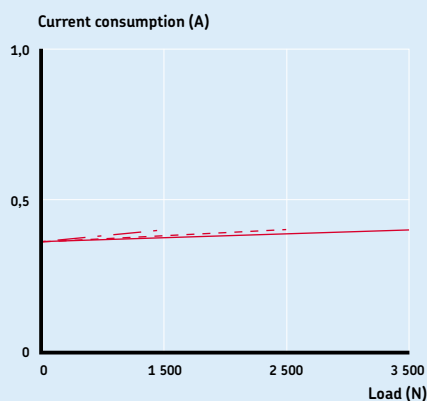
Speed-load diagram CAP 32 ... 120 VAC



Current-load diagram CAP 32 ... 120 VAC



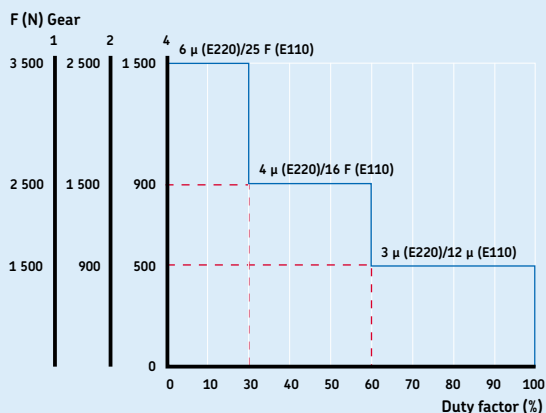
Speed-load diagram CAP 32 ... 230 VAC



Current-load diagram CAP 32 ... 230 VAC

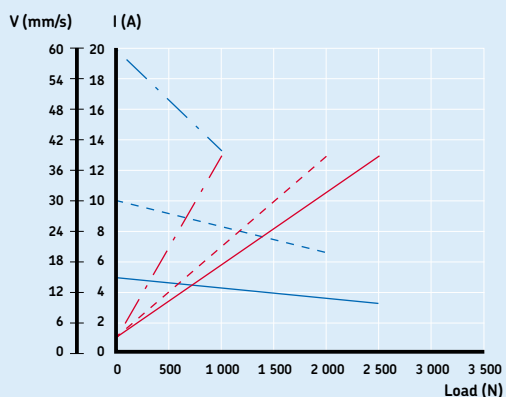


Duty cycle

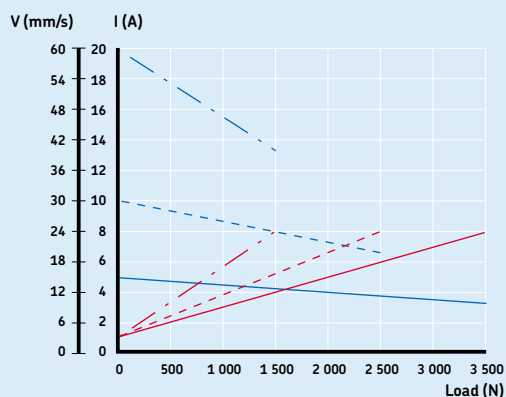


CAP 32 ... 230/120 VAC

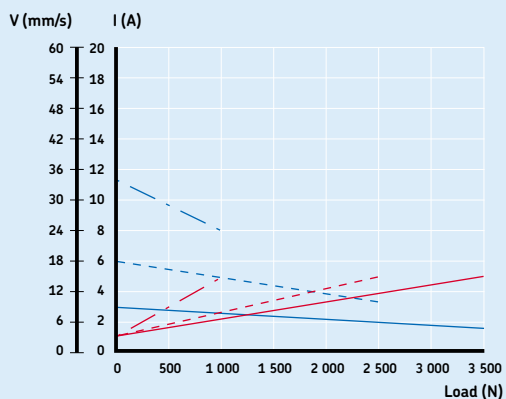
Performance diagrams – DC version



CAP 32.../D12C



CAP 32.../D24C/D24CS/D24CB



CAP 32.../D24CW



Duty cycle

