

Linear actuator

CAP 43A

Benefits

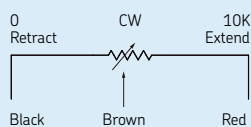
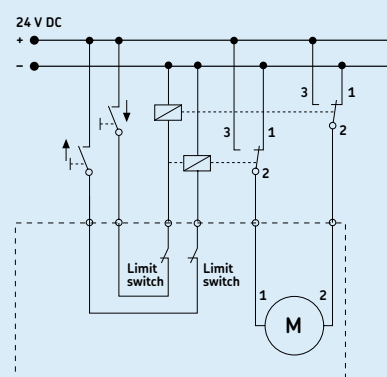
- Robust and reliable
- Long lifetime
- Wide range of components
- Right- and left-hand version
- Analogical feedback



Suitable control units and accessories

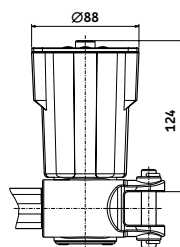
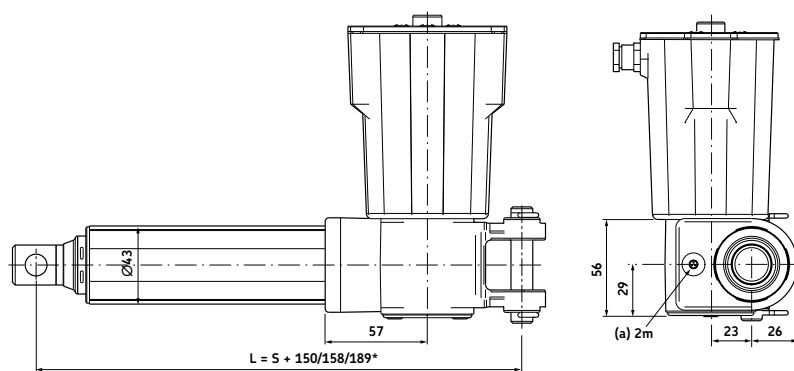
		Control units	
		CAED ANR 5-24-PO	CAED ANR 9-24-PO
	C24C		●
	C24CW	●	
	D24C		●
	D24CW	●	

Connecting diagram

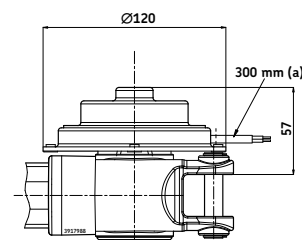


Connection diagram for linear potentiometer.

Dimensional drawing



C24C, C24CW



D24C, D24CW

Legend:
 S = stroke
 L = retracted length
 (a) = cable length

See drawings of front and rear attachments on page 286.

* Dimension depends on selected front attachment

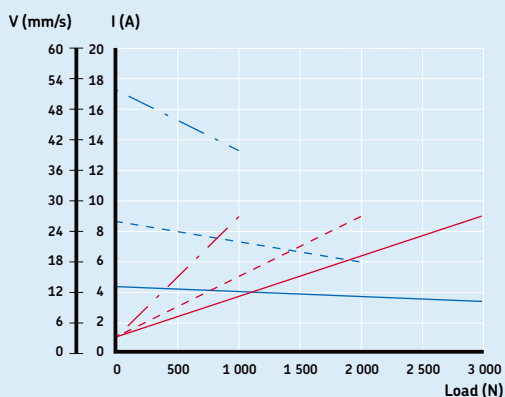
Technical data

	Unit	CAP 43A
Push load	N	1 000 to 3 000
Pull load	N	1 000 to 3 000
Speed (full load to no load)	mm/s	5 to 52 ¹⁾
Stroke	mm	100 to 400
Retracted length	mm	S+150/158/189 ²⁾
Voltage	V DC	24
Power consumption	W	N/A
Current consumption	24 V DC 24 V DCW	A A
		9 5
Duty cycle	%	15
Ambient temperature	°C	-20 to +50
Type of protection	IP	44
Weight	kg	2,0 to 2,7

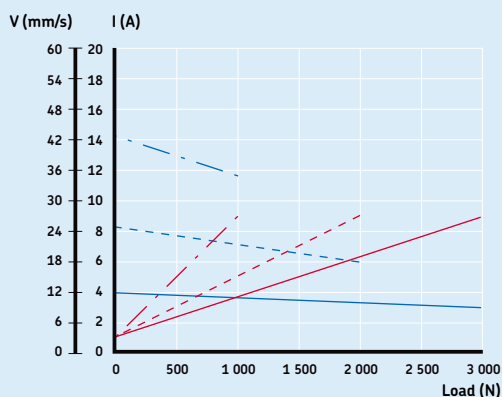
¹⁾ Depending on selected motor

²⁾ Dimension depends on selected front attachment

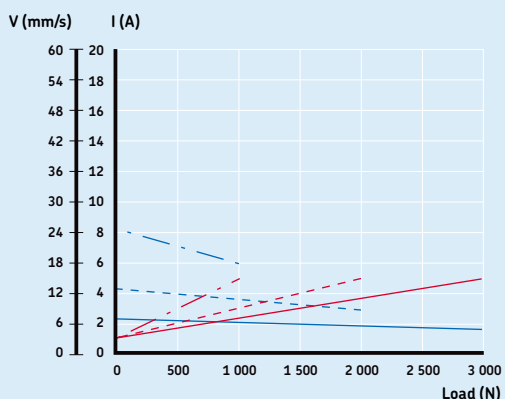
Performance diagrams



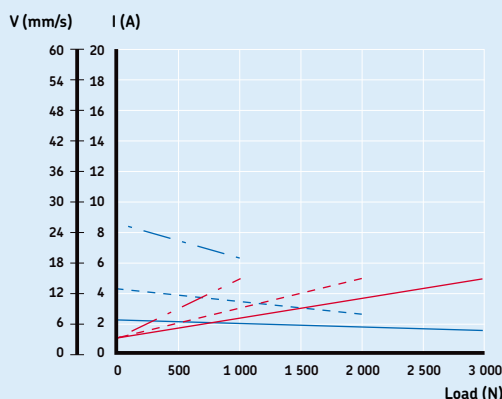
CAP 43A.../C24C



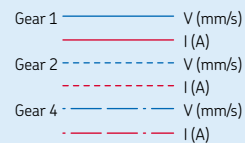
CAP 43A.../D24C



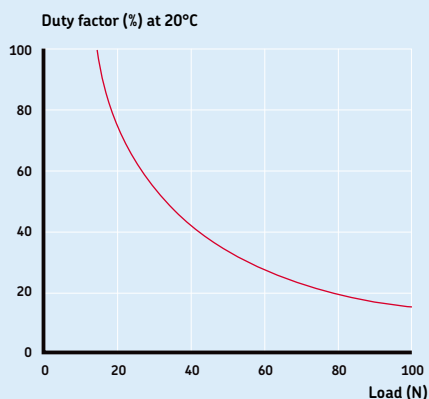
CAP 43A.../C24CW



CAP 43A.../D24CW



Duty cycle



Ordering key

Dynamic load (N) / Speed (mm/s)			Motor options	
3 000/xx	2 000/xx	1 000/xx	No motor	0000
3 000/13-10	2 000/26-20	1 000/52-40	24 VDC, IP44	C24C
3 000/7-5	2 000/13-9	1 000/25-18	24 VDC, IP44	C24CW
3 000/12-9	2 000/25-18	1 000/43-35	24 VDC, flat motor, IP44	D24C
3 000/7-5	2 000/13-8	1 000/26-19	24 VDC, flat motor, low speed, IP44	D24CW
1	2	4		

C A P [] [] 4 3 A X [] [] X [] [] [] [] / [] [] [] [] [] [] [] [] [] [] [] []

Type

Motor assembly:

Right
 Left

R
 L

Stroke (S):

100 mm	100
200 mm	200
300 mm	300
400 mm	400

Rear attachment (see page 286):

Fork ear, Ø=12,0 mm	A1
Fork ear, Ø=12,7 mm	A2
Single ear, Ø=12,0 mm	K1
Single ear, Ø=12,7 mm	K2

Front attachment (see page 286):

Hole, Ø=12,0 mm	G1
Hole, Ø=12,7 mm	G2
Male thread, M12	G3
Female thread, M12	G4
Fork ear, Ø=10,1 mm	G5

Option:

Friction clutch F

Cable option for C24C(W) motors:

No cable
 Straight, 2,0 m U
 T2

EMC filter M

Motor without cover N

© SKF is a registered trademark of the SKF Group

© SKF Group 2009

The contents of this publication are the copyright of the publisher and may not be reproduced (even extracts) unless prior written permission is granted. Every care has been taken to ensure the accuracy of the information contained in this publication but no liability can be accepted for any loss or damage whether direct, indirect or consequential arising out of the use of the information contained herein.

Printed in Sweden on environmentally friendly paper.

PUB MT/P8 10447 EN · December 2009

