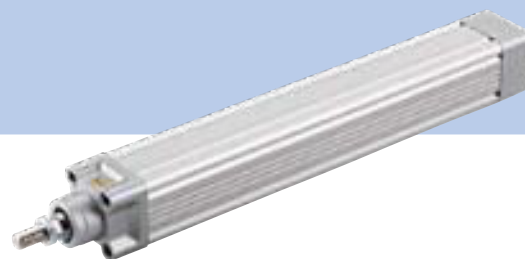


# CASM-32

## Linear units

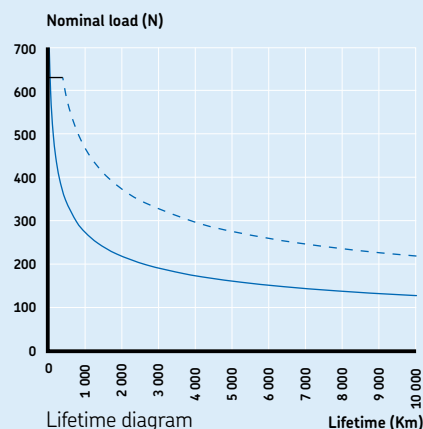
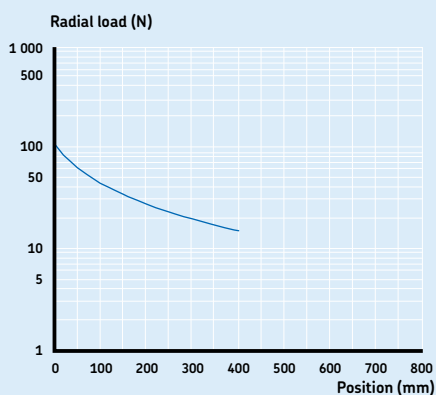
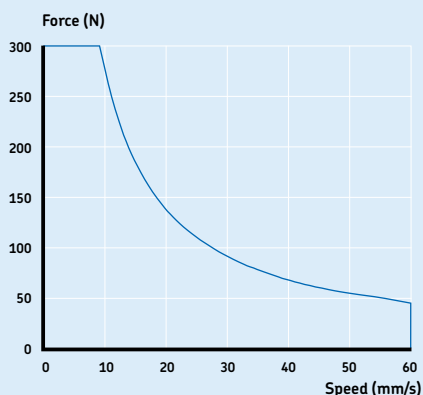


### Technical data

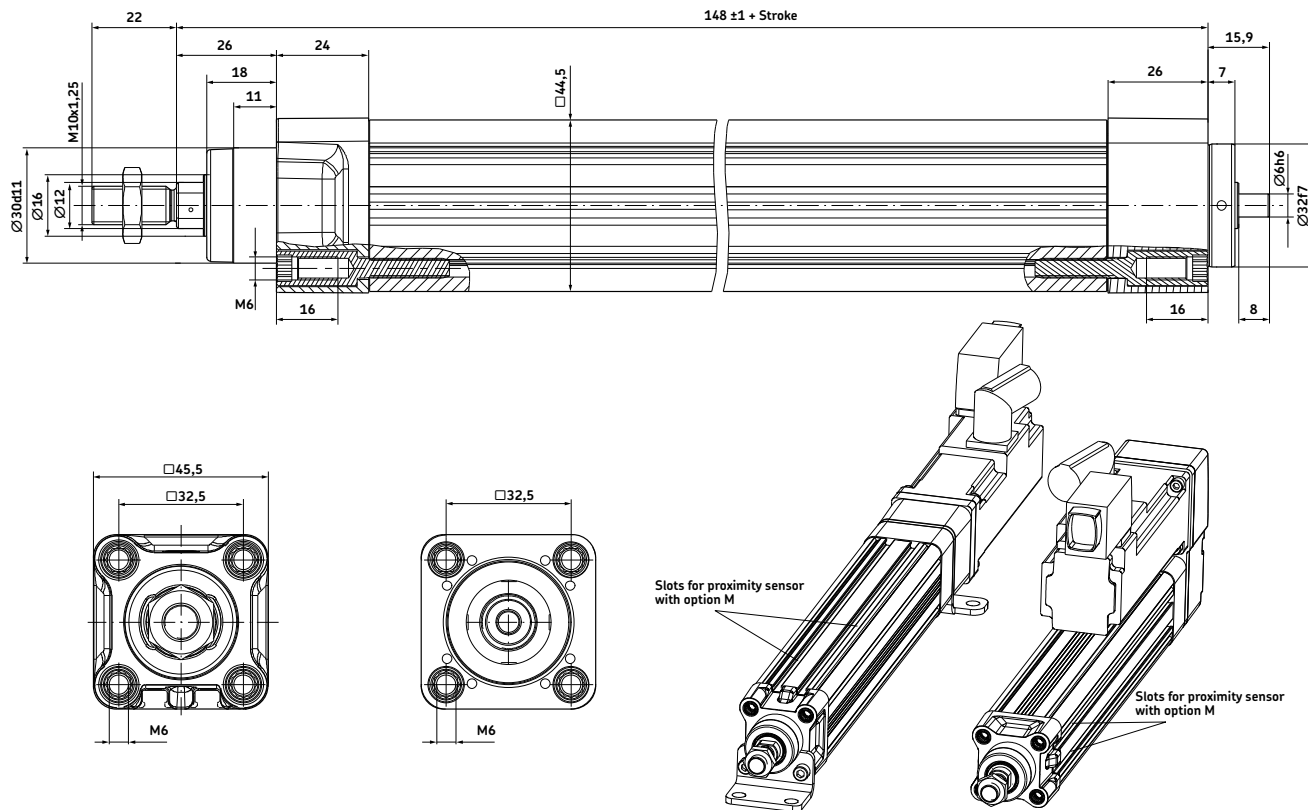
	Unit	CASM-32-LS	CASM-32-BS	CASM-32-BN
Screw type	–	Lead screw	Ball screw	Ball screw
Screw diameter	mm	9	10	10
Screw pitch	mm	1,5	3	10
Max. dynamic force	N	300	700	630
Max. static force	N	700	700	700
Max. speed	mm/s	60	150	500
Stroke	mm	50 to 400	50 to 400	50 to 400
Max. input torque*	Nm	0,5	0,8	1,4
Max. input RPM*	1/min	2 400	3 000	3 000
Max. acceleration	m/s <sup>2</sup>	1	6	6
Duty cycle	%	60	100	100
Lifetime L <sub>10</sub>	km	70	see chart	see chart
Repeatability (same direction and load)	mm	± 0,07	±0,01	±0,01
Operating temperature	°C	0 to +50	0 to +50	0 to +50
Humidity	%	95	95	95
Type of protection	IP	54S	54S	54S

\* Speed and torque of the motor needs to be limited

### Performance diagrams CASM-32



Dimensional drawing



Ordering key

C A S M - 3 2 - [ ] - 0 [ ] [ ] A [ ] - 0 0 0

Type

Screw:

Lead screw 9×1,5 mm  
 Ball screw 10×3 mm  
 Ball screw 10×10 mm

LS  
 BS  
 BN

Stroke:

50 mm  
 100 mm  
 150 mm  
 200 mm  
 300 mm  
 400 mm

050  
 100  
 150  
 200  
 300  
 400

Option<sup>1)</sup>:

Motor, adapter and accessories separately delivered  
 Motor, adapter and foot mountings<sup>2)</sup> pre-mounted (see orientation of slots on above drawing)

A  
 M

<sup>1)</sup> Motor, adapter kit and accessories need to be ordered separately

<sup>2)</sup> Foot mountings pre-mounted on in-line version only

