

Linear actuator

FD series

Benefits

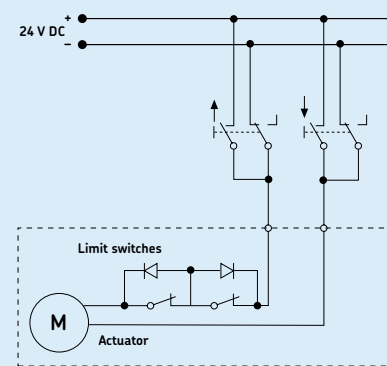
- Cost-effective actuator
- Hall effect sensors for feedback
- Rear clevis can be turned per step of 30°
- Built-in limit switches (factory pre-set)
- UL 1004 certification



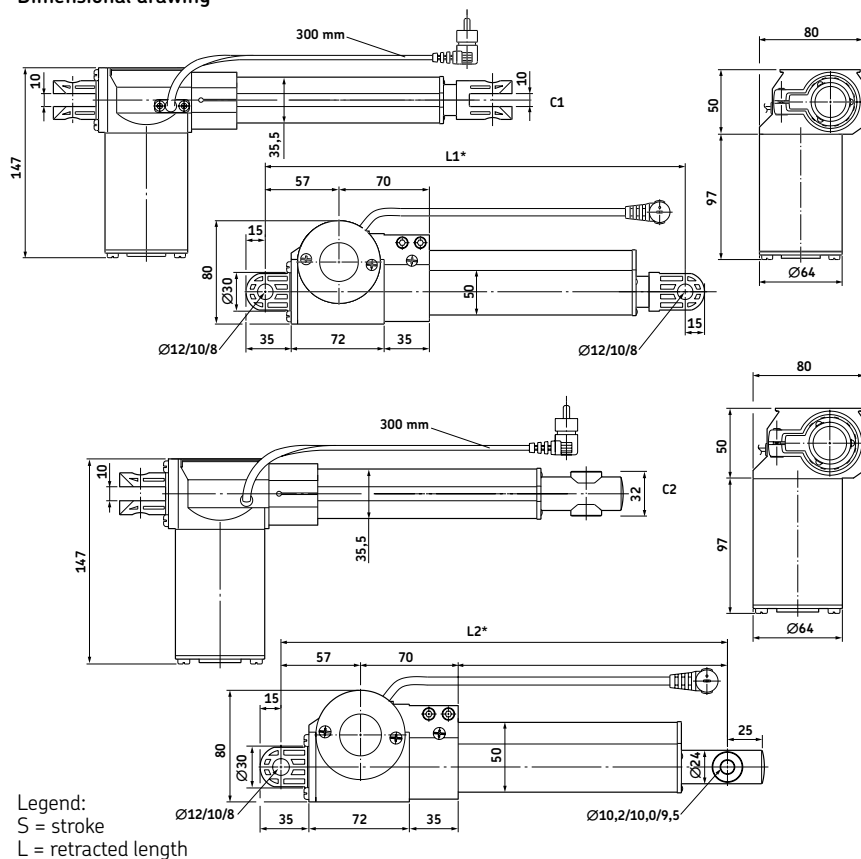
Suitable control units and accessories

Control unit	
	CB 2005
	FD
	HS 112
	HS 124
	HS 126
	HS 138

Connecting diagram



Dimensional drawing



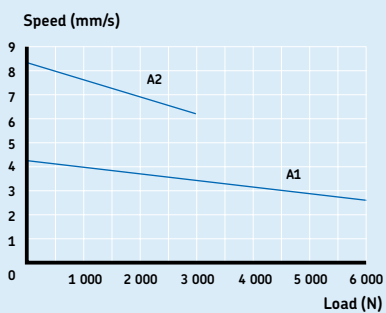
Stroke (mm)	50	100	150	200	250	300
Retracted length (L1)	250	300	360	410	470	520
Retracted length (L2)	210	260	320	370	430	480

Technical data

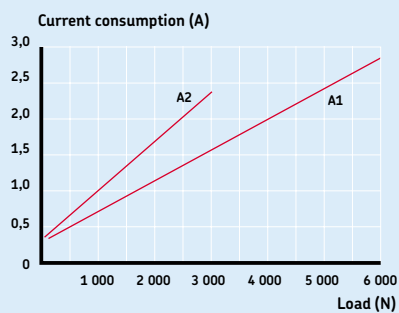
	Unit	FD A1	FD A2
Push load	N	6 000	3 000
Pull load	N	4 000	2 000
Speed (full load to no load)	mm/s	2,67 to 4,2	6,2 to 8,2
Stroke	mm	50 to 300	50 to 300
Retracted length	mm	—*	—*
Voltage	V DC	24	24
Power consumption	W	72	60
Current consumption	A	3	2,5
Duty cycle	%	10	10
Ambient temperature	°C	+10 to +40	+10 to +40
Type of protection	IP	52	52
Weight (at 300 mm stroke)	kg	2,5	2,5
Color	—	Black	Black

* See above table

Performance diagrams

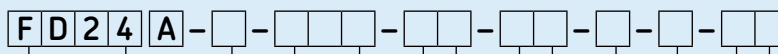


Speed-load diagram



Current-load diagram

Ordering key



Type

Load:

6 000 N
 3 000 N

1
 2

Stroke:

50 mm
 100 mm
 150 mm
 200 mm
 250 mm
 300 mm

050
 100
 150
 200
 250
 300
 XXX

Other stroke lengths; 50 < S < 300 mm

Front attachment:

Plastic, Ø = 8,0, 10,0, or 12,0 mm
 Metal, Ø = 9,5, 10,0 or 10,2 mm

C1
 C2

Option 1:

Hall effect sensor (resolution pulses/mm; A1=10, A2=5)

HS

Option 2:

Connector for CB200S
 No connector, open wires
Customized connector

0
 N
 C

Option 3 (front attachment):

Attachment type C1 Ø=12,0 mm; type C2 Ø=10,2 mm
 Attachment type C1 and C2 Ø=10,0 mm
 Attachment type C1 Ø=8,0 mm; type C2 Ø=9,5 mm

1
 2
 3

Customized cable length options:

Specify requested cable length in dm

XX

Options written in italic fonts are only available on demand. Please contact SKF.

© SKF is a registered trademark of the SKF Group

© SKF Group 2009

The contents of this publication are the copyright of the publisher and may not be reproduced (even extracts) unless prior written permission is granted. Every care has been taken to ensure the accuracy of the information contained in this publication but no liability can be accepted for any loss or damage whether direct, indirect or consequential arising out of the use of the information contained herein.

Printed in Sweden on environmentally friendly paper.

PUB MT/P8 10356 EN · November 2009

