

Linear actuator

Magdrive

Benefits

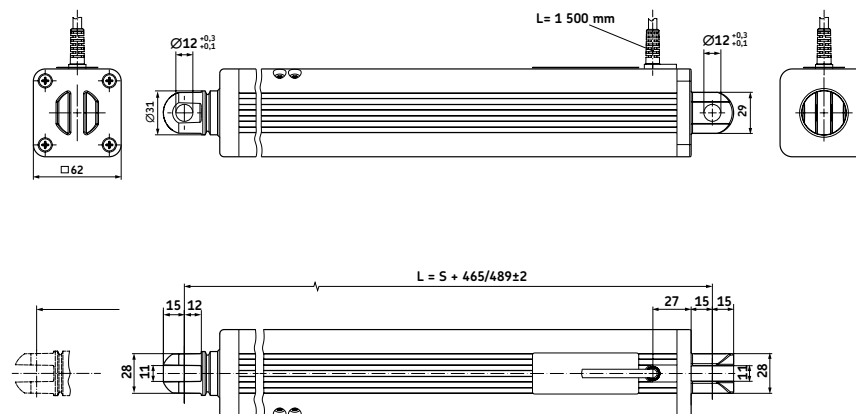
- Slim design
- Aluminium profile
- In-line actuator
- Quiet operation
- High push load



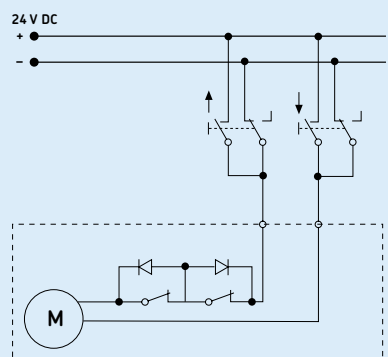
Suitable control units and accessories

	SCU 1	SCU 5	SCU 9	VCU 5	VCU 8	VCU 9	BCU 5	BCU 8
MAGDRIVE	●	●	●	●	●	●	●	●
	EHA 3	●	●	●	●	●	●	●
	STJ	●	●	●	●	●	●	●
	STE	●	●	●	●	●	●	●

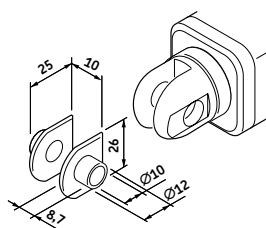
Dimensional drawing



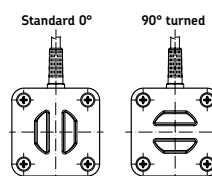
Connecting diagram



Plastic bushing for forkhead
 (hinge delivered separately)



Orientation of rear attachment

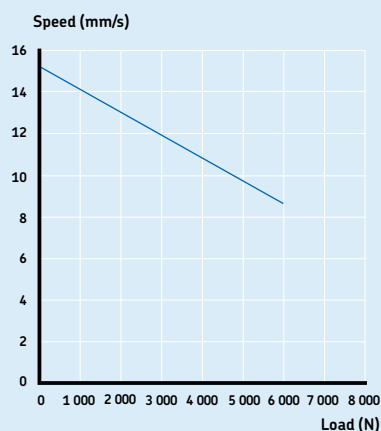


Legend:
 S = stroke
 L = retracted length

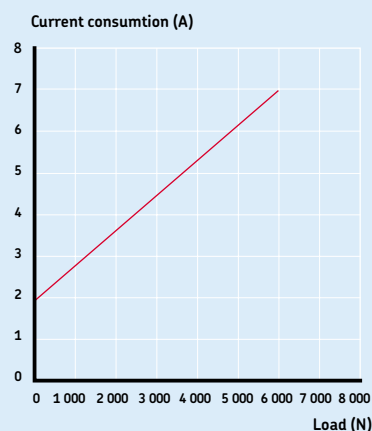
Technical data

	Unit	MD22/MD24	MD23/MD25
Push load	N	6 000	6 000
Pull load	N	200* (static only)	6 000
Speed (full load to no load)	mm/s	8,5 to 15	8,5 to 15
Stroke	mm	50 to 700	50 to 700
Retracted length	mm	S+465	S+489
Voltage	V DC	24	24
Power consumption	W	N/A	N/A
Current consumption	A	7	7
Duty cycle	%	10 (1/9)	10 (1/9)
Ambient temperature	°C	+10 to +40	+10 to +40
Type of protection	IP	x0/x4S	x0/x4S
Weight	kg	5,0	5,0
Color	—	Colorless anodized	Colorless anodized

Performance diagrams

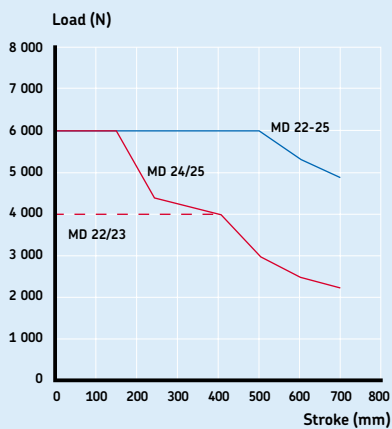


Speed-load diagram

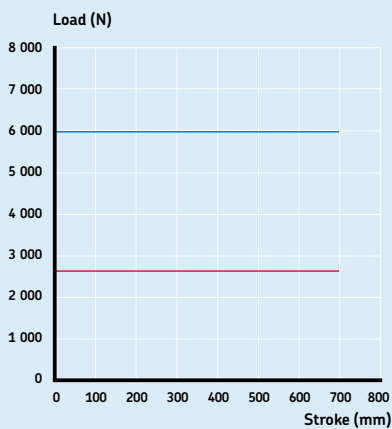


Current-load diagram

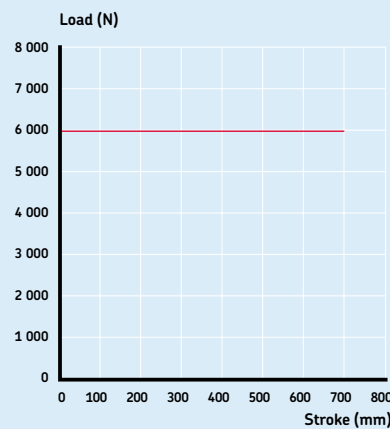
Safety factor load conditions



Push load diagram
 — Safety factor S=2
 — Safety factor according UL60601-1, IEC60601-1
 — Safety factor according UL60601-1, IEC60601-1



Pull load diagram MD23
 — Safety factor S=4
 — Safety factor according UL60601-1, IEC60601-1



Pull load diagram MD25 (6 000 N)
 Safety factor according UL60601-1, IEC60601-1

Ordering key

MD2 - - - - - 00

Type

Push/pull force:

6 000 N/200 N	2
6 000 N/6 000 N	3
6 000 N/200 N (recommended for medical applications- with alu. rear hinge)	4
6 000 N/6 000 N (recommended for medical applications- with alu. rear hinge)	5

Stroke:

50 mm	050
100 mm	100
150 mm	150
200 mm	200
250 mm	250
300 mm	300
350 mm	350
400 mm	400
450 mm	450
500 mm	500
550 mm	550
600 mm	600
650 mm	650
700 mm	700
Other stroke lengths	---

Retracted length:

MD22/24: S+465 mm	---
MD23/25: S+489 mm	---
Over 1 000 mm assembly length, use customer specific adaption	XXX
Others	---

Type of protection:

IPX0	A
IPX4S	B

Motor cable:

Straight, 1,5 m, DIN8 plug	15
Straight, 1,5m, jack plug 180°	0D

Rear attachment / Hole diameter:

Standard 0° / Ø12 mm	0
Rotated 90° / Ø12 mm	4

Option 1:

No option	
Electrical anti-pinching protection, safety switch, motor direction push	L
Electrical anti-pinching protection, safety switch, motor direction pull	K

Option 2:

No option	
Dual encoder (only available with DIN8 plug) 2,15 impulse per turn/sensor (= 5,375 imp. per 1 mm.)	F

Option 3:

No option	
Emergency lowering fork head bore (add 30 mm to retracted length "L")	V

Options written in italic fonts are only available on demand. Please contact SKF.

© SKF is a registered trademark of the SKF Group

© SKF Group 2011

The contents of this publication are the copyright of the publisher and may not be reproduced (even extracts) unless prior written permission is granted. Every care has been taken to ensure the accuracy of the information contained in this publication but no liability can be accepted for any loss or damage whether direct, indirect or consequential arising out of the use of the information contained herein.

Printed in Sweden on environmentally friendly paper.

PUB L5321,2590 EN · February 2011

