

Linear actuator

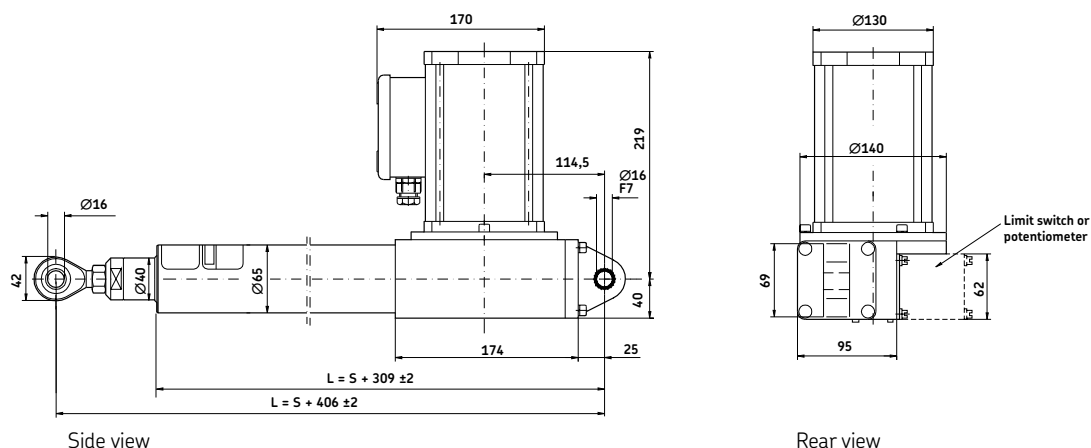
Magforce SKD

Benefits

- Modular
- Robust
- Reliable
- High speed and/or high load
- All metal design

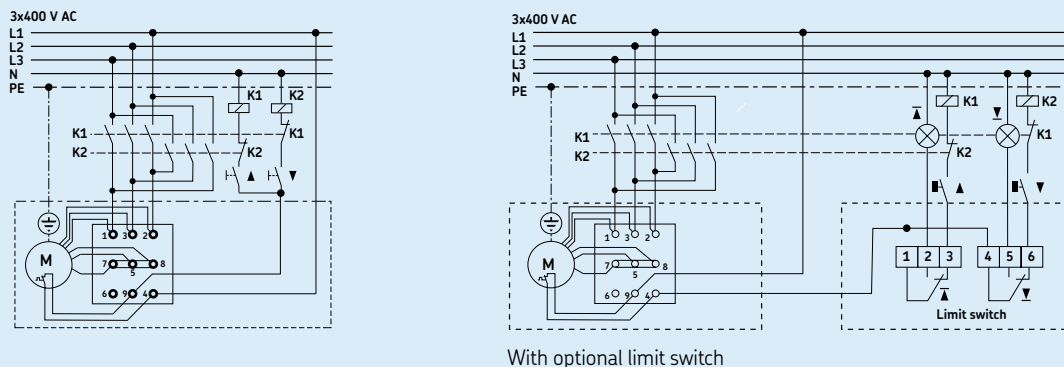


Dimensional drawing



Legend:
 S = stroke
 L = retracted length

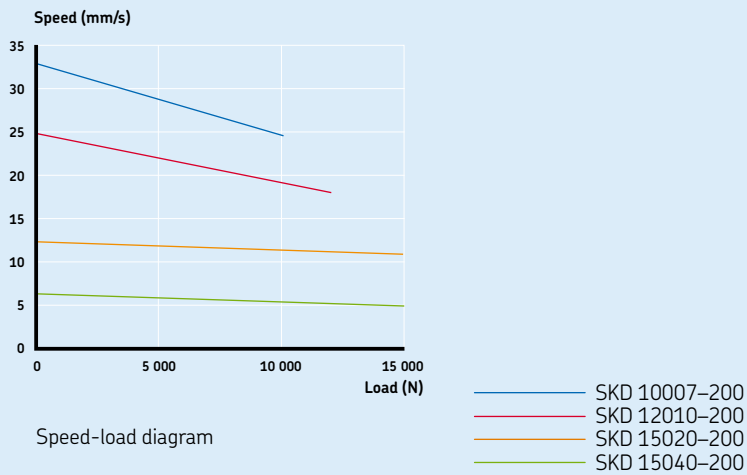
Connecting diagrams



Technical data

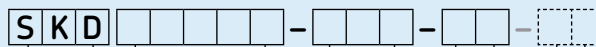
	Unit	SKD 10007	SKD 12010	SKD 15020	SKD 15040
Rated push load	N	10 000	12 000	15 000	15 000
Rated pull load	N	10 000	12 000	15 000	15 000
Speed (at full load)	mm/s	25	18	11	5
Stroke	mm	100 to 700	100 to 700	100 to 700	100 to 700
Retracted length	mm	S+406	S+406	S+406	S+406
Voltage	V AC	3x400	3x400	3x400	3x400
Power consumption	W	920	800	750	600
Current consumption	A	1,8	1,7	1,6	1,5
Duty cycle	%	25 (2,5/7,25)	10 (1/9)	10 (1/9)	10 (1/9)
Ambient temperature	°C	-10 to +40	-10 to +40	-10 to +40	-10 to +40
Type of protection	IP	54	54	54	54
Weight (at 200 mm stroke)	kg	14,6	14,6	14,6	14,6
Color	-	Silver	Silver	Silver	Silver

Performance diagram



Speed-load diagram

Ordering key



Type

Load:

10 000 N	10007
12 000 N	12010
15 000 N / 11 mm/s	15020
15 000 N / 5 mm/s	15040

Stroke (S):

100 mm	100
200 mm	200
300 mm	300
400 mm	400
500 mm	500
600 mm	600
700 mm	700

Option 1:

No option	01
<i>Others*</i>	<i>XX</i>

Option 2:

No option	0
Magnetic brake (1,4 Nm) 1031,0219	<i>G</i>

Option 3:

No option	0
Limit switch	1
Potentiometer (1 000 Ω)	2
Encoder 1063,0020	3

Options shown in italics are only available on request.

Minimum quantities or additional costs apply for option 1 if shown in italics. For options 2 and 3, please contact your SKF representative.

Example for ordering an actuator without any options: SKD10007-100-01.

Example for ordering an actuator with option limit switch: SKD10007-100-01-01 (01=limit switch).

* *Example for others XX: Extended motor shaft,...*

