

# Linear actuator

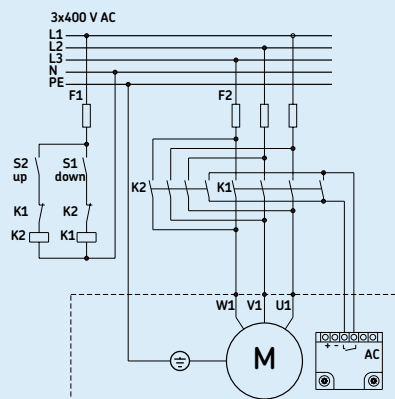
## Magforce SLS

### Benefits

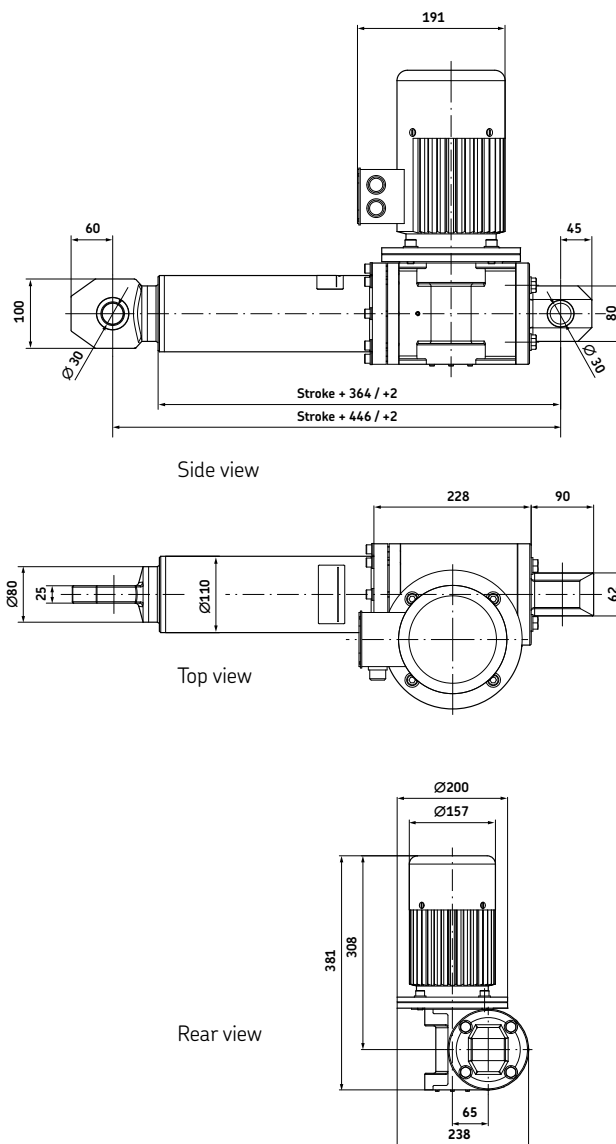
- Modular
- Robust
- Reliable
- High speed and/or high load
- All metal design



Connecting diagram



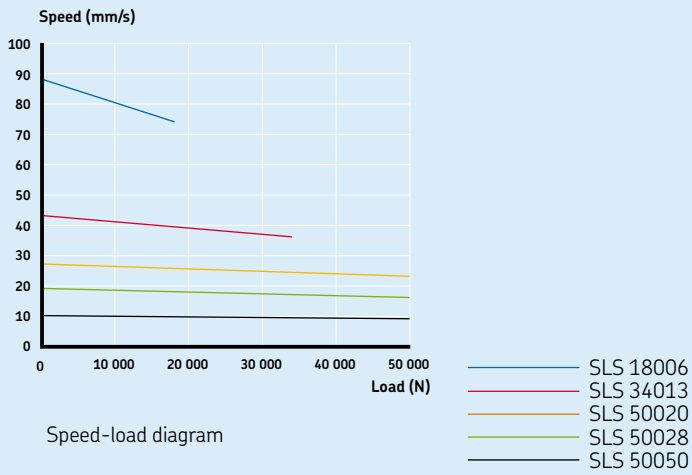
Dimensional drawing



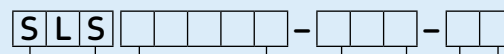
Technical data

	Unit	SLS 18006	SLS 34013	SLS 50020	SLS 50028	SLS 50050
Rated push load	N	18 000	34 000	50 000	50 000	50 000
Rated pull load	N	18 000	34 000	50 000	50 000	50 000
Speed (at full load)	mm/s	74	36	23	16	9
Stroke	mm	100 to 700	100 to 700	100 to 700	100 to 700	100 to 700
Retracted length	mm	S+446	S+446	S+446	S+446	S+446
Voltage	V AC	3x400	3x400	3x400	3x400	3x400
Power consumption	W	3 000	3 000	3 000	2 200	1 900
Current consumption	A	3,9	3,9	3,9	3,5	3,6
Duty cycle	%	10 (1/9)	10 (1/9)	10 (1/9)	10 (1/9)	10 (1/9)
Ambient temperature	°C	-10 to +40	-10 to +40	-10 to +40	-10 to +40	-10 to +40
Type of protection	IP	54	54	54	54	54
Weight	kg	40	40	40	40	40
Color	-	Silver	Silver	Silver	Silver	Silver

Performance diagram



Ordering key



Type

**Load:**

18 000 N  
 34 000 N  
 50 000 N / 23 mm/s  
 50 000 N / 16 mm/s  
 50 000 N / 9 mm/s

18006  
 34013  
 50020  
 50028  
 50050

**Stroke (S):**

100 mm  
 200 mm  
 300 mm  
 400 mm  
 500 mm  
 600 mm  
 700 mm

100  
 200  
 300  
 400  
 500  
 600  
 700

**Customer option:**

Standard  
*Others (extended motor shaft, ...)*

01  
 XX

*Options shown in italics are only available on demand. Contact SKF for more information on minimum quantities and additional costs.*

© SKF is a registered trademark of the SKF Group

© SKF Group 2010

The contents of this publication are the copyright of the publisher and may not be reproduced (even extracts) unless prior written permission is granted. Every care has been taken to ensure the accuracy of the information contained in this publication but no liability can be accepted for any loss or damage whether direct, indirect or consequential arising out of the use of the information contained herein.

Printed in Sweden on environmentally friendly paper.

PUB MT/P8 10393 EN · May 2010

