

# Linear actuator

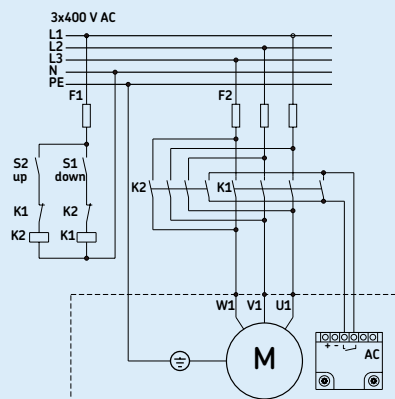
Magforce SKS/SKA

## Benefits

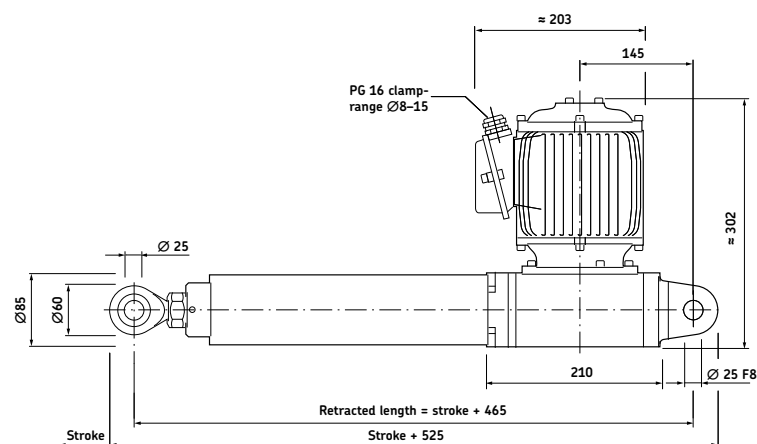
- Modular
- Robust
- Reliable
- High speed and/or high load
- All metal design



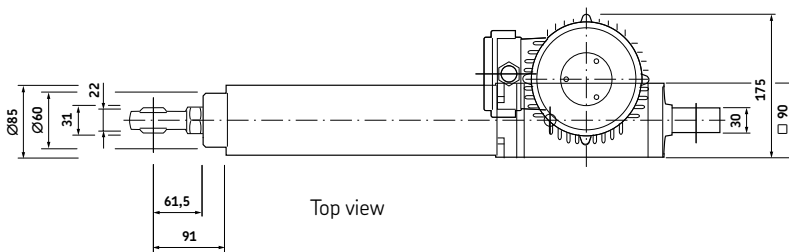
Connecting diagram



Dimensional drawing



Side view

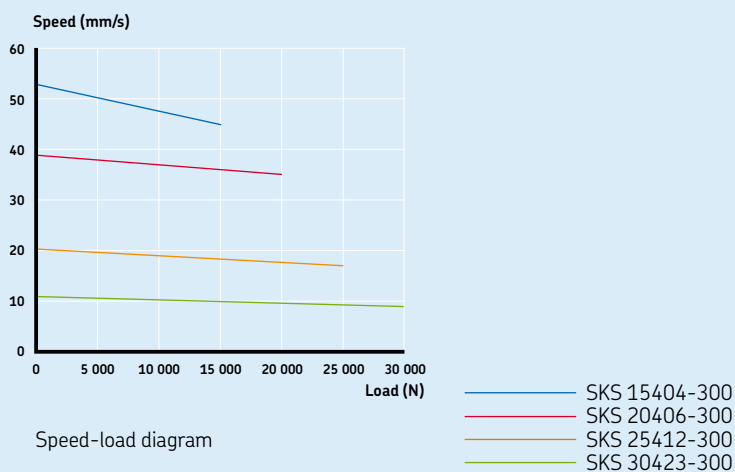


Top view

Technical data

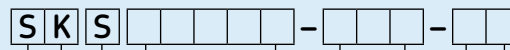
	Unit	SKS/SKA 15404	SKS/SKA 20406	SKS/SKA 25412	SKS/SKA 30423
Rated push load	N	15 000	20 000	25 000	30 000
Rated pull load	N	15 000	20 000	25 000	30 000
Speed (at full load)	mm/s	45	35	17	9
Stroke	mm	100 to 700	100 to 700	100 to 700	100 to 700
Retracted length	mm	S+465	S+465	S+465	S+465
Voltage	V AC	3x400	3x400	3x400	3x400
Power consumption	W	1 700	1 650	1 300	1 200
Current consumption	A	3,3	3,5	2,8	3,0
Duty cycle	%	10 (1/9)	10 (1/9)	10 (1/9)	10 (1/9)
Ambient temperature	°C	-10 to +40	-10 to +40	-10 to +40	-10 to +40
Type of protection	IP	54	54	54	54
Weight (at 200 mm stroke)	kg	30	30	30	30
Color	-	Silver	Silver	Silver	Silver

Performance diagram



Speed-load diagram

Ordering key



Type

Option:

No option

S

Load:

15 000 N  
 20 000 N  
 25 000 N  
 30 000 N

15404  
 20406  
 25412  
 30423

Stroke (S):

100 mm  
 200 mm  
 300 mm  
 400 mm  
 500 mm  
 600 mm  
 700 mm

100  
 200  
 300  
 400  
 500  
 600  
 700

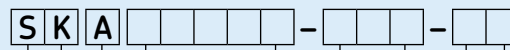
Customer option:

Standard

*Others (extended motor shaft, back-up nut, ...)*

01  
 XX

*Options shown in italics are only available on demand. Contact SKF for more information on minimum quantities and additional costs.*



Type

Option:

With limit switches and/or potentiometer

A

Load:

15 000 N  
 20 000 N  
 25 000 N  
 30 000 N

15404  
 20406  
 25412  
 30423

Stroke (S):

100 mm  
 200 mm  
 300 mm  
 400 mm  
 500 mm  
 600 mm  
 700 mm

100  
 200  
 300  
 400  
 500  
 600  
 700

Customer option:

Standard with limit switch and potentiometer 1k-ohm

Standard with limit switch

*Others (extended motor shaft, back-up nut, ...)*

01  
 02  
 XX

*Options shown in italics are only available on demand. Contact SKF for more information on minimum quantities and additional costs.*

© SKF is a registered trademark of the SKF Group

© SKF Group 2010

The contents of this publication are the copyright of the publisher and may not be reproduced (even extracts) unless prior written permission is granted. Every care has been taken to ensure the accuracy of the information contained in this publication but no liability can be accepted for any loss or damage whether direct, indirect or consequential arising out of the use of the information contained herein.

Printed in Sweden on environmentally friendly paper.

PUB L5321,2380 EN · May 2010

